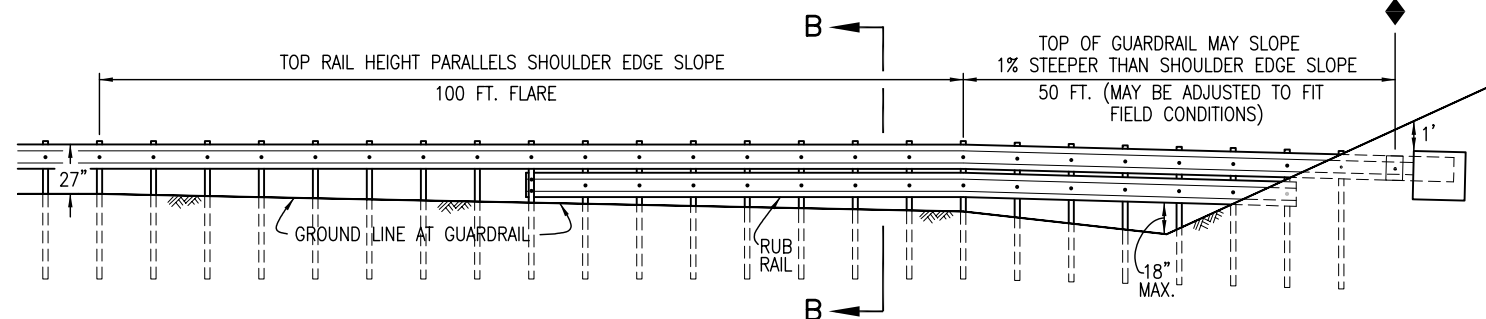
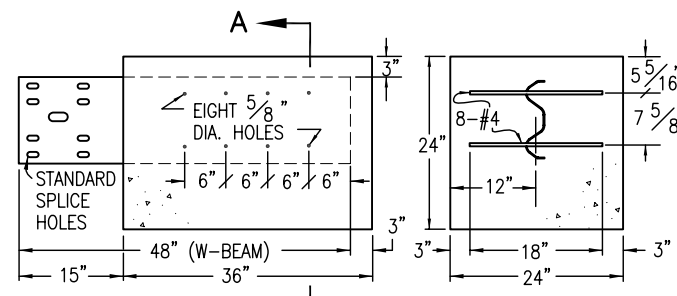


SEE TYPE 3B (RUB RAIL) PLAN VIEW FOR ALIGNMENT. THE 100 FT. FLARE LENGTH MAY BE SHORTENED IF THE SLOPE IS LESS THAN 8 FT. WIDE.

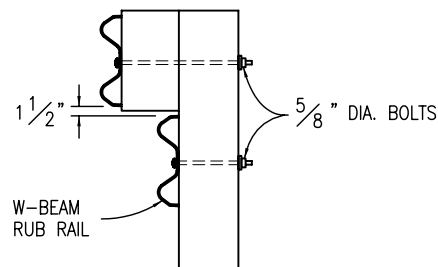
END ANCHORAGE TYPE 3B
(WITHOUT ROADSIDE DITCH AT GUARDRAIL)



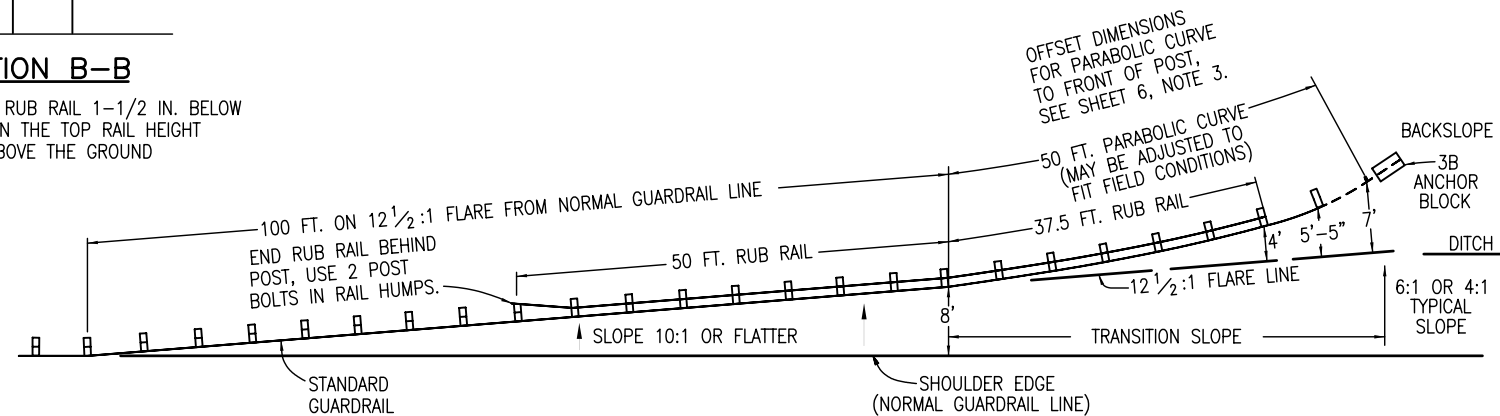
ELEVATION VIEW



TYPE 3B ANCHOR BLOCK DETAIL

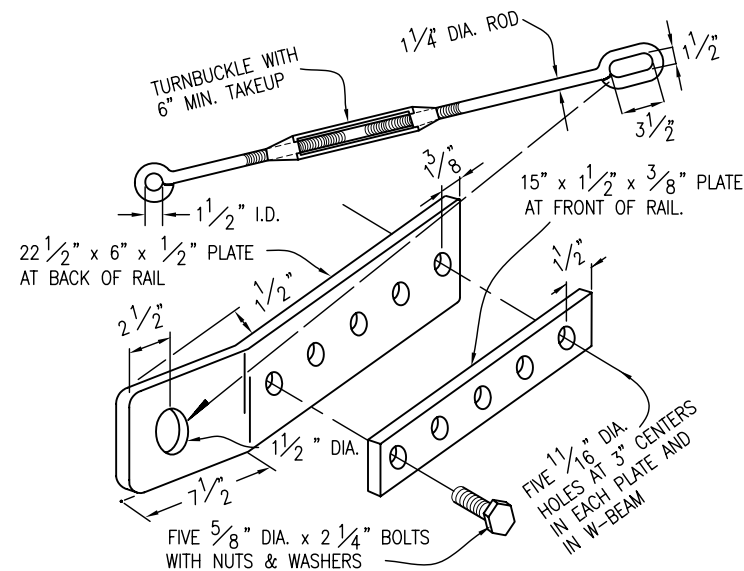


MOUNT A W-BEAM RUB RAIL 1-1/2 IN. BELOW THE TOP RAIL WHEN THE TOP RAIL HEIGHT EXCEEDS 30 IN. ABOVE THE GROUND



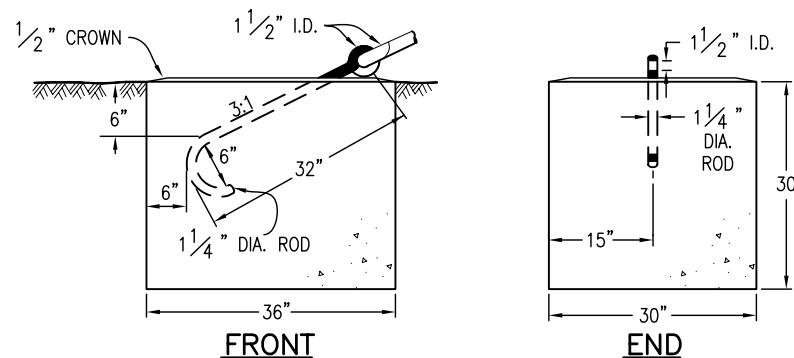
PLAN VIEW

END ANCHORAGE TYPE 3B (RUB RAIL)
(WITH ROADSIDE DITCH AT GUARDRAIL)

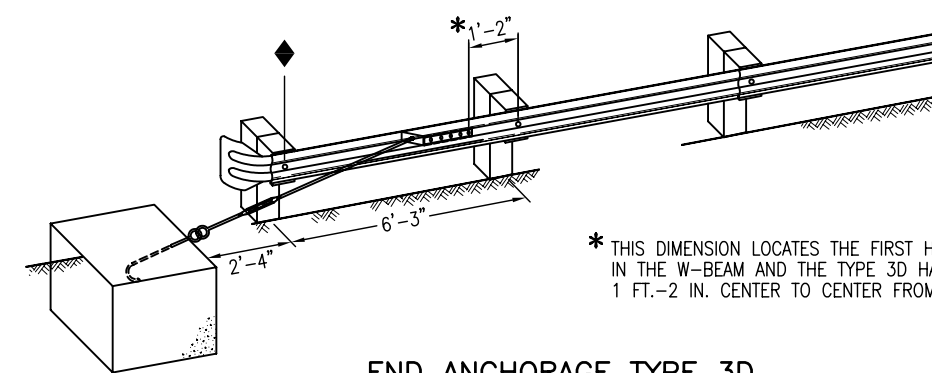


TYPE 3D HARDWARE DETAILS

NOTE: ALL PARTS SHALL BE GALVANIZED



TYPE 3D ANCHOR BLOCK DETAIL



END ANCHORAGE TYPE 3D DEPARTURE TERMINAL

* THIS DIMENSION LOCATES THE FIRST HOLE IN THE W-BEAM AND THE TYPE 3D HARDWARE. 1 FT.-2 IN. CENTER TO CENTER FROM POST BOLT HOLE.

Computer File Information

Creation Date: 07/04/06 Initials: SJR
Last Modification Date: 07/04/06 Initials: LTA
Full Path: www.dot.state.co.us/DesignSupport/
Drawing File Name: 6060104016.dwg
CAD Ver.: MicroStation V8 Scale: Not to Scale Units: English

Sheet Revisions

Date:	Comments:
(R-X)	
(R-X)	
(R-X)	
(R-X)	

Colorado Department of Transportation

4201 East Arkansas Avenue
Denver, Colorado 80222
Phone: (303) 757-9083
Fax: (303) 757-9820

Project Development Branch SRJ/LTA

**GUARDRAIL TYPE 3
W-BEAM**

Issued By: Project Development Branch on July 04, 2006

STANDARD PLAN NO.

M-606-1

Sheet No. 4 of 16